



# ASSEMBLY INSTRUCTION

## NL2FX

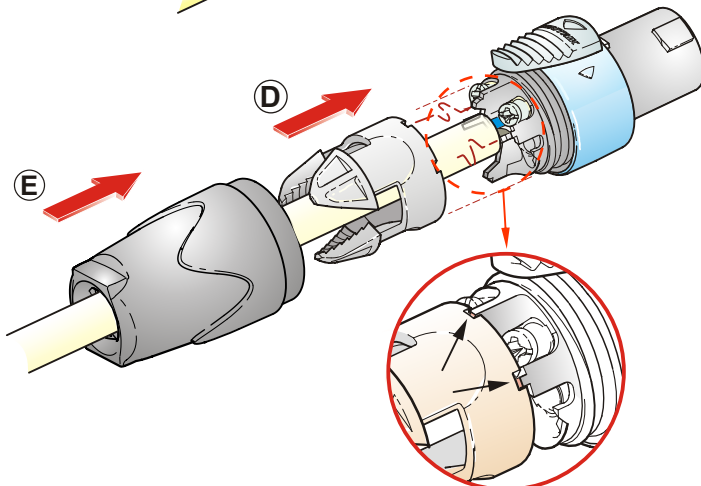
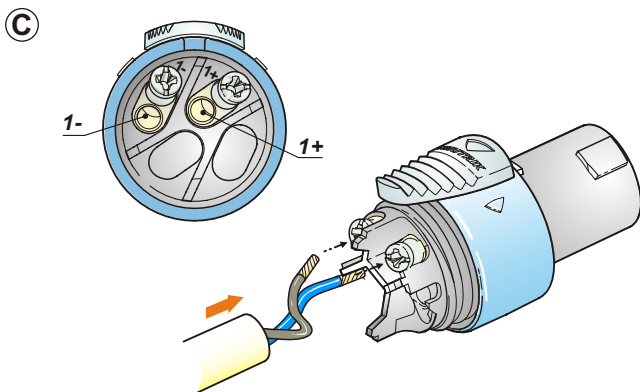
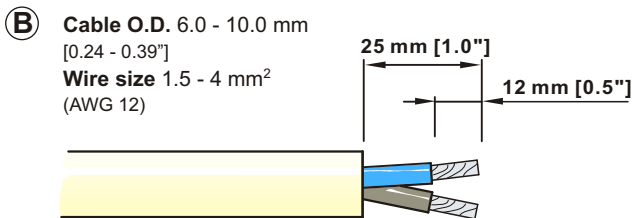
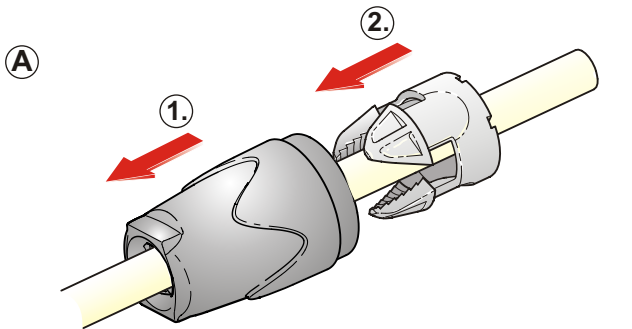
### SpeakON® SPX Series | Lockable Loudspeaker Connector

#### IMPORTANT SAFETY INSTRUCTION

Electrical Rating acc. UL & CSA:  
USR: 40A/250V, CNR: 25A/250V

“CAUTION: NOT FOR INTERRUPTING CURRENT”  
“ATTENTION: NE PAS UTILISER POUR COUPER LE COURANT”

#### Assembly of the Connector:



**A** Place bushing and chuck over cable.

**B** Prepare cable as shown.

Important is the stripping length of 25 mm and 12 mm.

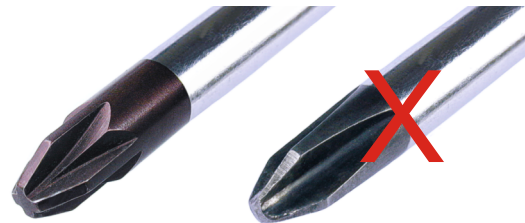
**C** Insert wires into terminals and secure clamp terminals with screw driver (Pozidriv®).

**D** Push chuck up to housing .

**Important:** Align the chuck by positioning the nose into the recess.

**E** Finish installation by turning the bushing onto the connector.

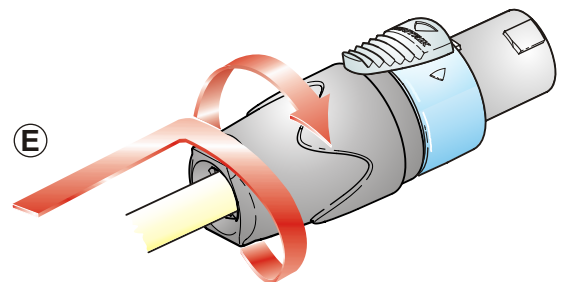
#### INFO to the screw driver:



**DO NOT USE!**

Pozidriv #1

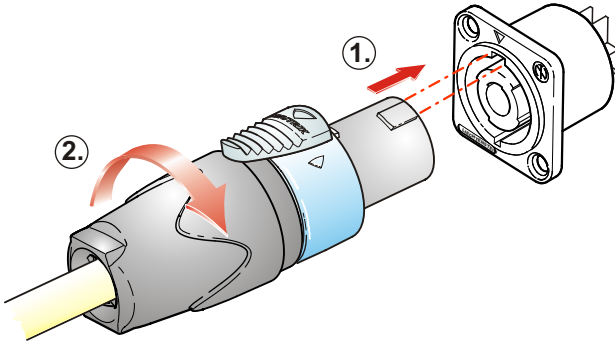
Philips





## Handling of the Connector:

### Engagement:



### Separation:

