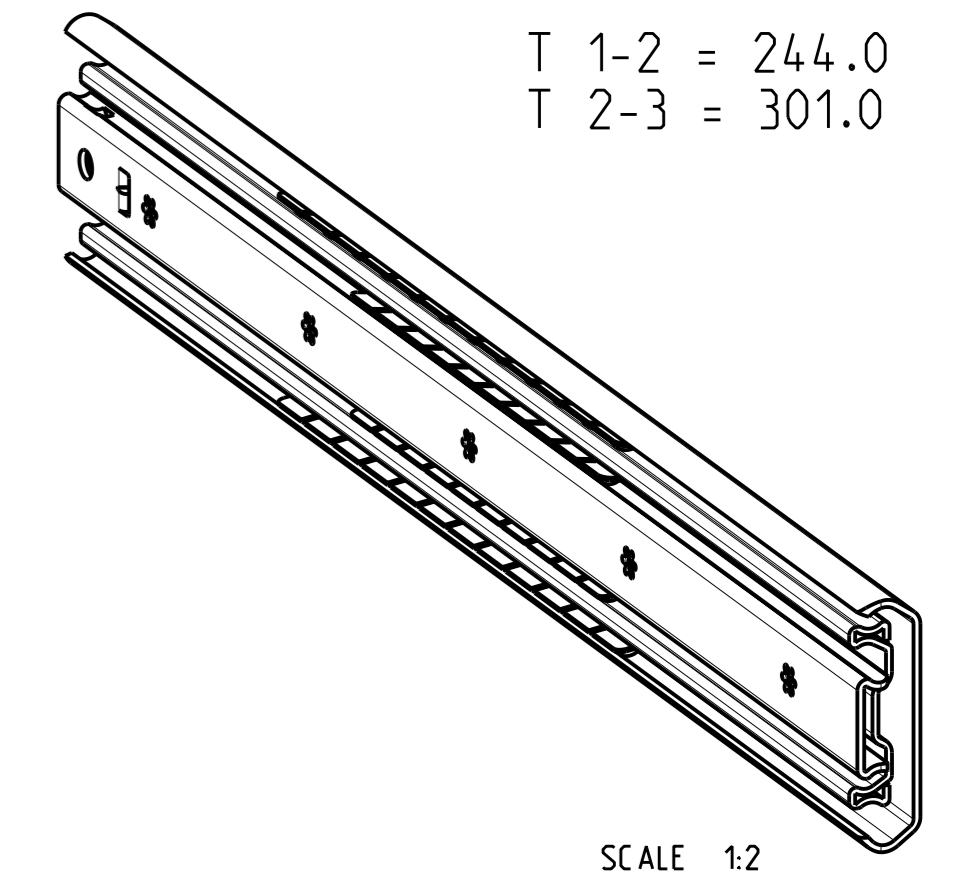
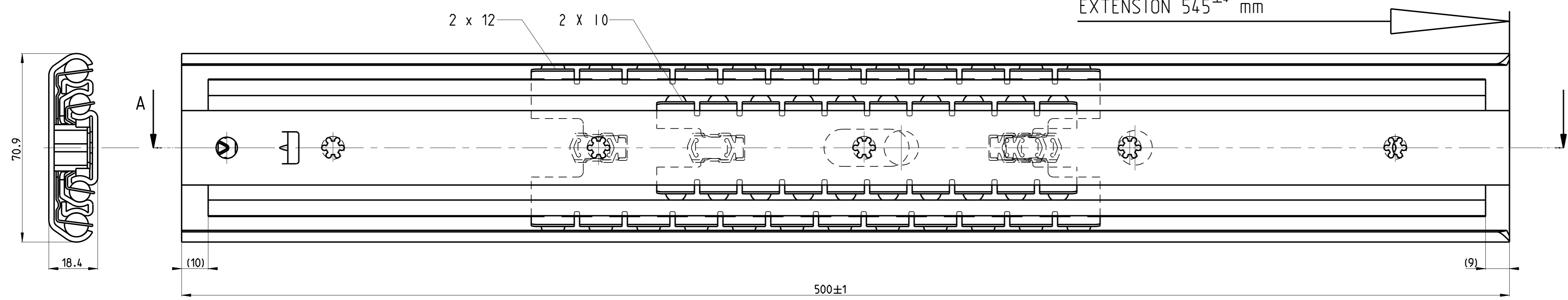


SECTION A-A

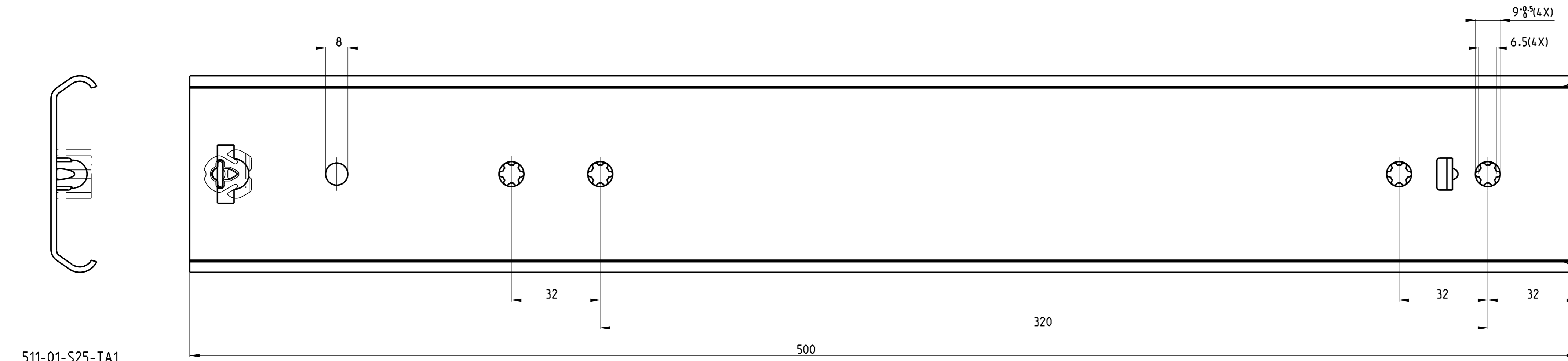


T 1-2 = 244.0
T 2-3 = 301.0

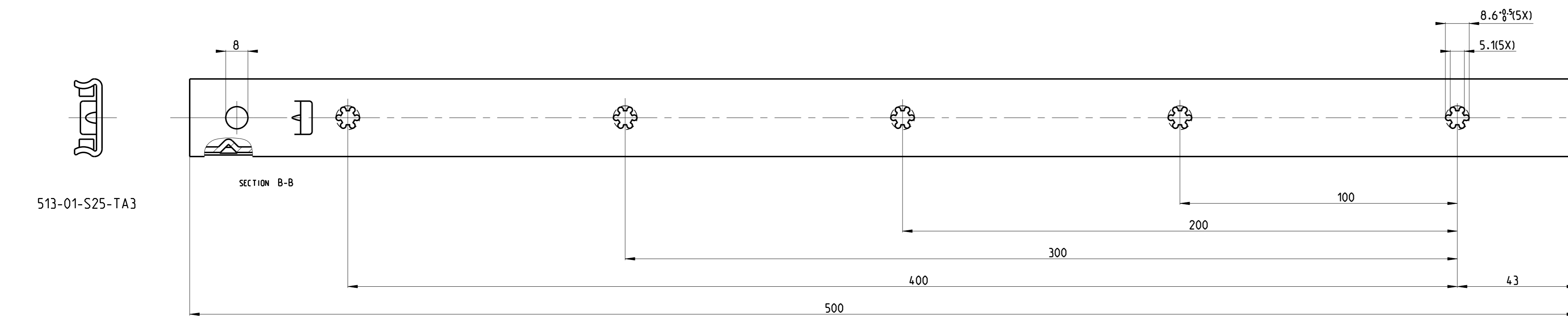
SCALE 1:2



FRONT



511-01-S25-TA1



513-01-S25-TA3

PRO/ENGINEER Drawing	Dimensions between marks are guide dimensions. Tolerances unless otherwise stated ±0.5mm.		Thomas Regout Int. B.V. reserves the right to alter non-customer specific specifications without notice.
Was: - 101-524-03	DIMENSION	mm	MAT.: -
American projection	SCALE	1:1	REM.: RIGHT HAND SLIDE = LEFT HAND SLIDE
DESIGNER	DATE	25-08-2011	-
CHECKED	DESIGNER	M. Mahieu	TYPE D

TITAN 500,0 / 545,0 (18,5mm)



THOMAS REGOUT INTERNATIONAL BV

Drw. Nr.

101-S25 _ 00

Format.

A1

© Thomas Regout International BV All rights are reserved.

Production

04	-	-	-	-	05	-	-	-	-	06	-	-	-	-
01	-	-	-	-	02	-	-	-	-	03	-	-	-	-