

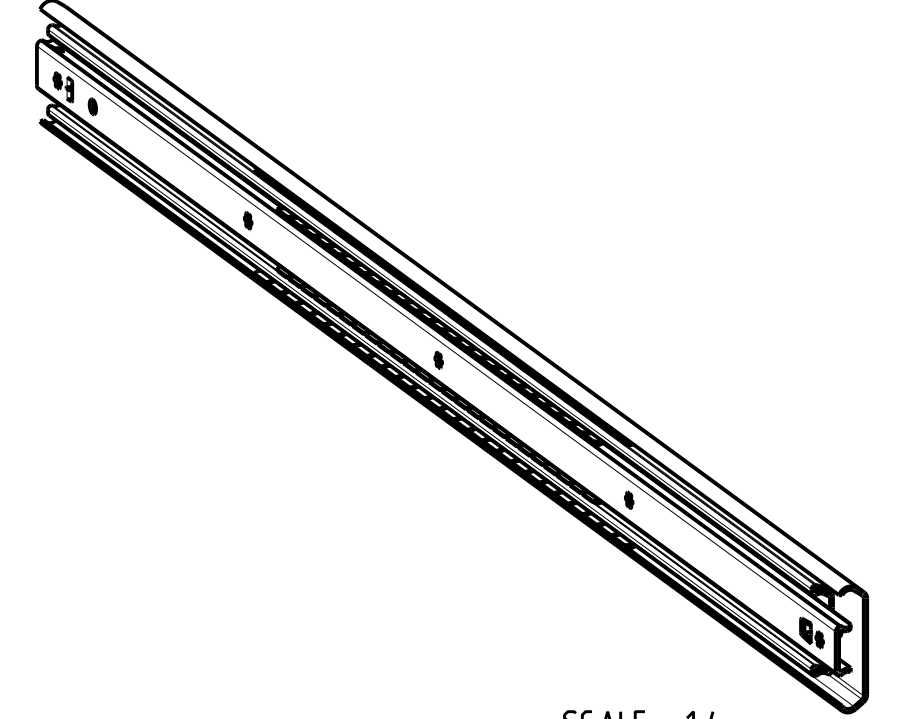
1 2 3 4 5 6 7 8 9 10 11 12 13 14 15 16 17 18 19 20

A
B
C
D
E
F
G
H
I
J
K
L
M
N



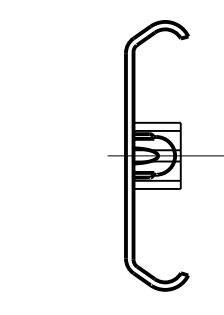
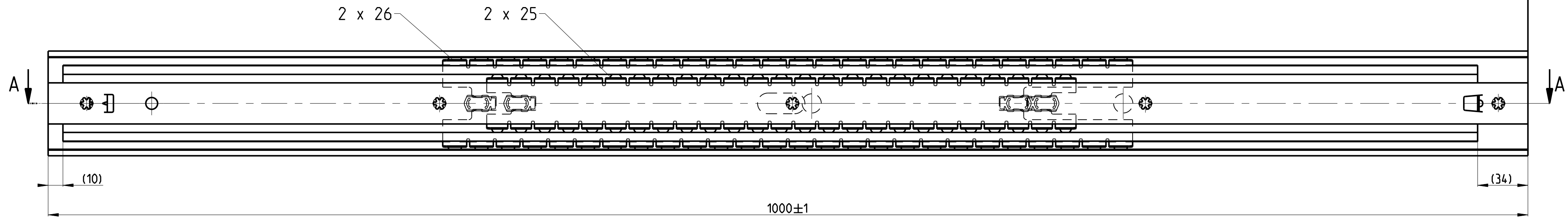
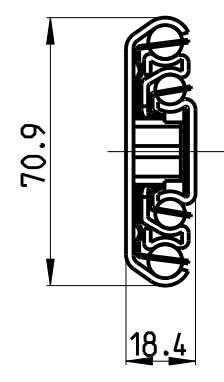
SECTION A-A

T 1-2 = 514.0
T 2-3 = 536.0

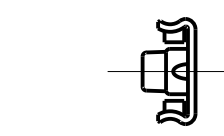
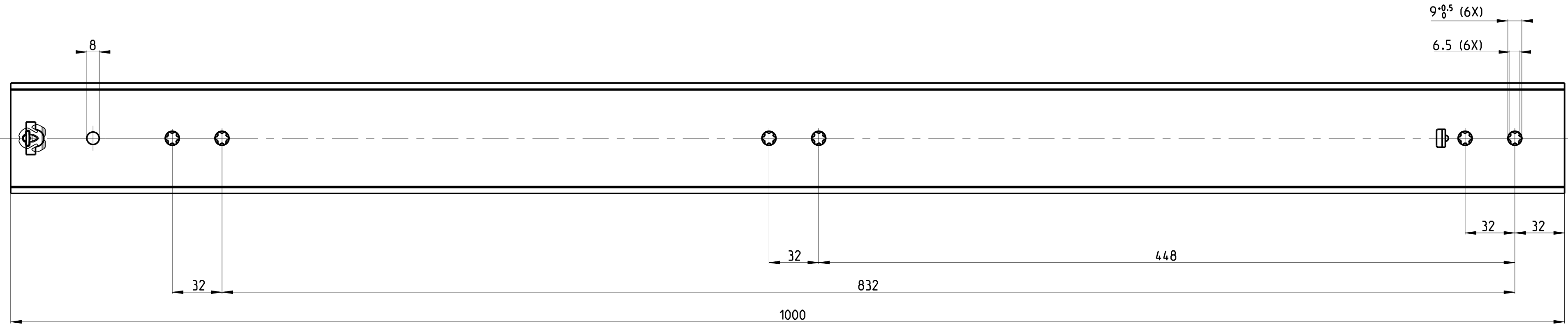


SCALE 1:4

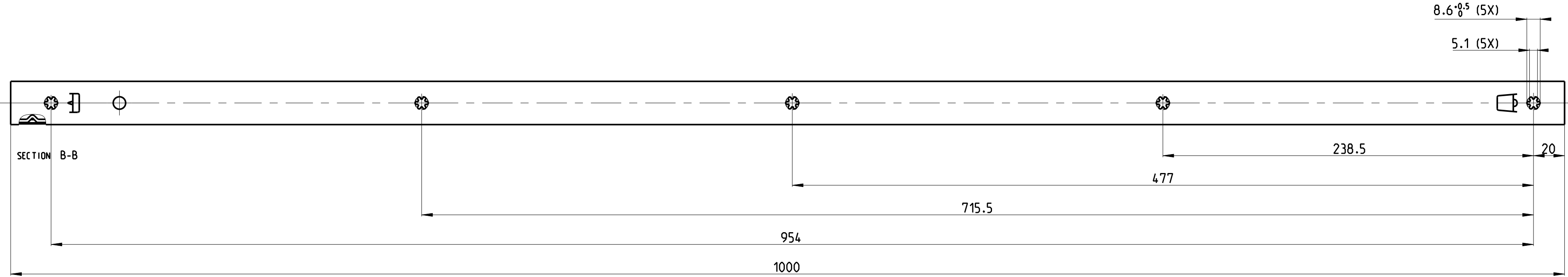
EXTENSION 1050^{±4} mm



511-01-S31-TA1



513-01-S31-TA3



PRO/ENGINEER Drawing	Dimensions between marks are guide dimensions. Tolerances unless otherwise stated ±0.5mm.		Thomas Regout Int. B.V. reserves the right to alter non-customer specific specifications without notice.
Was: - 101-039-00	DIMENSION	mm	MAT.: -
American projection	SCALE	1:2	REM.: RIGHT HAND SLIDE = LEFT HAND SLIDE
①	DATE	24-09-2011	-
▱	DESIGNER	M. Mahieu	-
	CHECKED	-	Type D
TITAN 1000,0 / 1050,0 (18,5mm)			
			Drw. Nr.
			101-S31 _ 00
© Thomas Regout International BV All rights are reserved.			Format. A1 Production

04	-	-	-	-	05	-	-	-	-	06	-	-	-	-
01	-	-	-	-	02	-	-	-	-	03	-	-	-	-