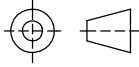


DRAWING NUMBER

CMP/1U

USED ON

THIRD ANGLE PROJECTION



ISS.

A

DESCRIPTION

INITIAL ISSUE

DRAWN

AES

DATE

14.6.16

APP'D

12.17

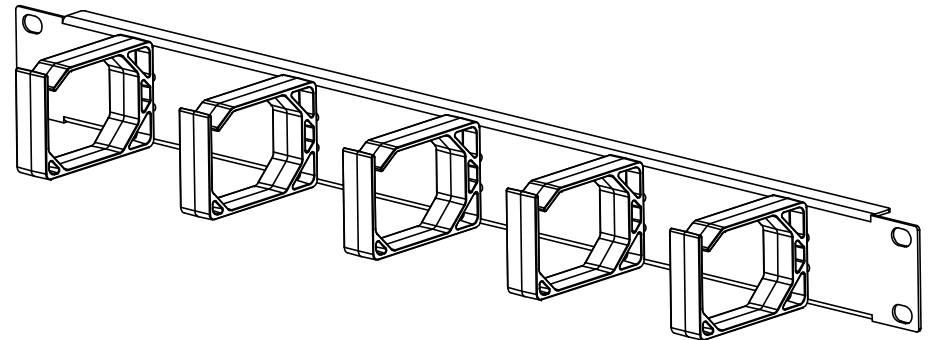
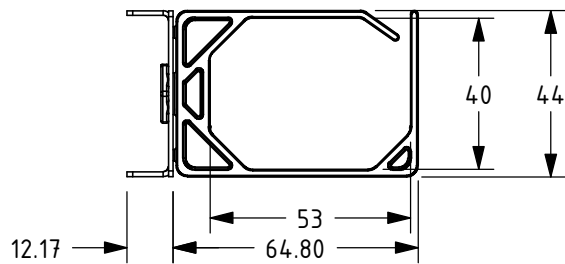
66.30

4 PITCHES OF 87.5 = 350

432.60

482.60

1.20



MATERIAL

ABD

08-804-12

1.2mm CR4 STEEL

FINISH

BLACK

TOLERANCES

UNLESS OTHERWISE STATED

LINEAR ANGULAR

X.X ±0.5 X ±0.5°

X.XX ±0.1 X.X ±0.1°

ALL DIMENSIONS IN mm

SCALE **1:2**

CUSTOMER

TITLE

CABLE MANAGEMENT

penn ELCOM

THIS DOCUMENT CONTAINS INFORMATION PROPRIETARY TO PENN ELCOM LTD. AND SHALL NOT BE REPRODUCED NOR TRANSFERRED TO OTHER DOCUMENTS NOR DISCLOSED TO A THIRD PARTY OR USED FOR ANY PURPOSE OTHER THAN FOR WHICH IT IS FURNISHED WITHOUT THE WRITTEN PERMISSION OF PENN ELCOM LTD.

DRAWING NUMBER

CMP/1U

SHEET

No. **3**

OF **3**

A

4