

Thermoplastic socket outlet

SCHUKO

1661000





General information

Item number	1661000
Model	Thermoplastic socket outlet
Colour	black

Electrical parameters

Amperage	16A
Voltage	250V
Poles	2P + PE

Standards/Directives

According to	DIN VDE 0620
Standard	SCHUKO
Certification marks	  EAC

Operating conditions

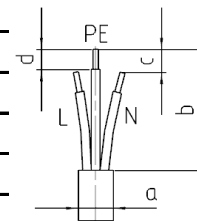
Storage temperature	-25°C to +70°C
Operating temperature	-25°C to +40°C
Relative humidity	5 to 95%, no condensation
Degree of protection	IP54
Resistance	UV-resistant Highly resistant to most oils, greases, solvents and detergents, hydrocarbons and organic and inorganic bases in usual concentrations

Materials

Contact Carrier	PA
Housing	PA

Connecting cable

Cross section	3x1,0mm ² -3x2,5mm ²
Cable diameter, dimension a	arbitrary
Insulation strip length sheath, dimension b	min. 20mm
Trim L/N, dimension c	0mm
Insulation strip length cores, dimension d	8-10mm



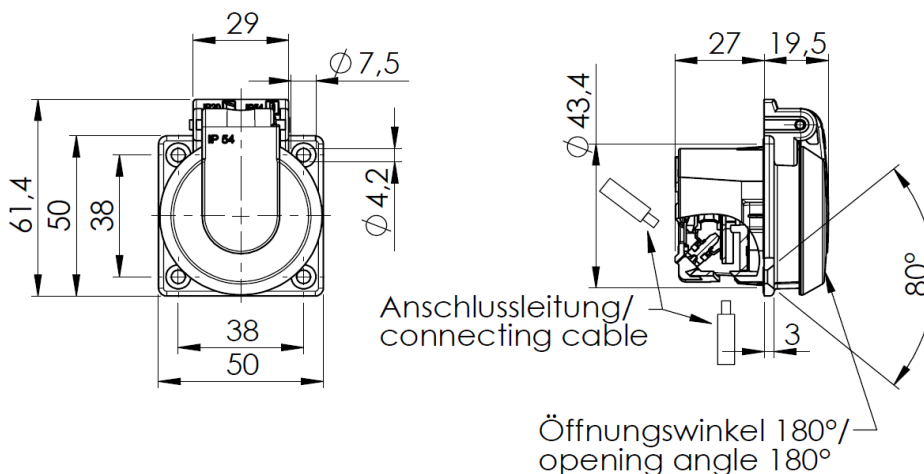
Connection screws

Max. torque for screws L-N/PE	0,5 Nm
Screw drive L-N/PE	Combined slot/PZ1

Additional technical information

Note	Degree of protection: Connected IP20 Touch-proof acc. DGUV-V3
------	--

Subject to modifications



If the application requires extended specifications, we recommend to test the application under real or simulated conditions. Parameters like duration, quantity and temperature will effect the result significantly