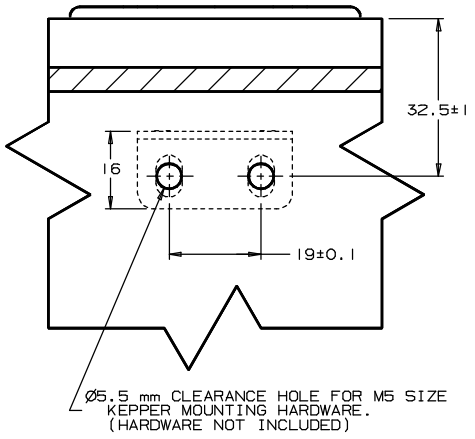
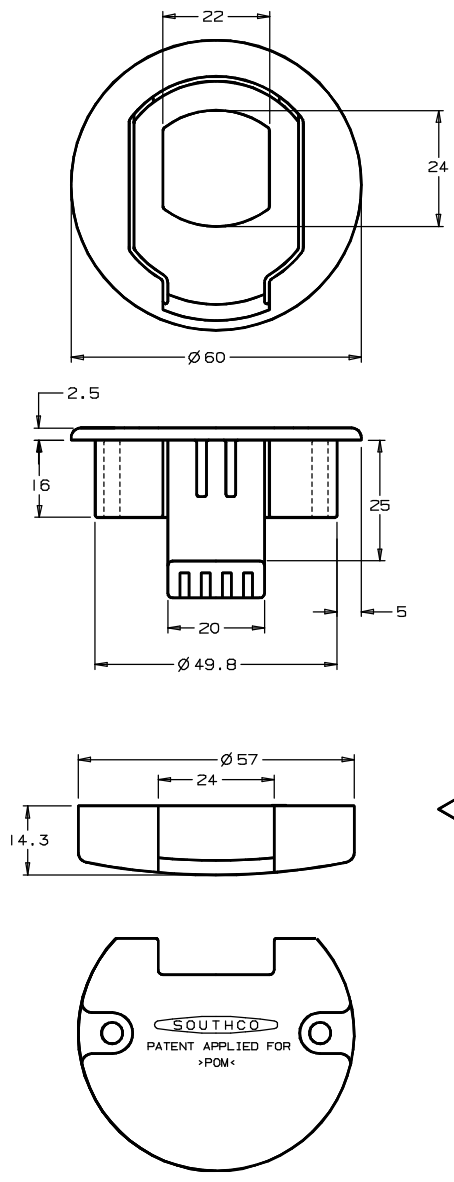


REV.	DATE	BY-CHKD	REVISIONS	PART NO.	COMPONENT	MATERIAL	FINISH
A	9 NOV 93	LBZ	CHANGED STRIKE LOCATION FROM 36.1 TO 35	MI-82	LATCH	ACETAL	BLACK
B	15 MAR 95	JJK	PRN: MI-28		MOUNTING CUP	ACETAL	BLACK
C	25 SEP 98	NH	PRN: MI-73		KEEPER	304 S/S	PASSIVATED
					MOUNTING SCREWS (2)	302 S/S	PASSIVATED



PANEL PREPARATION

